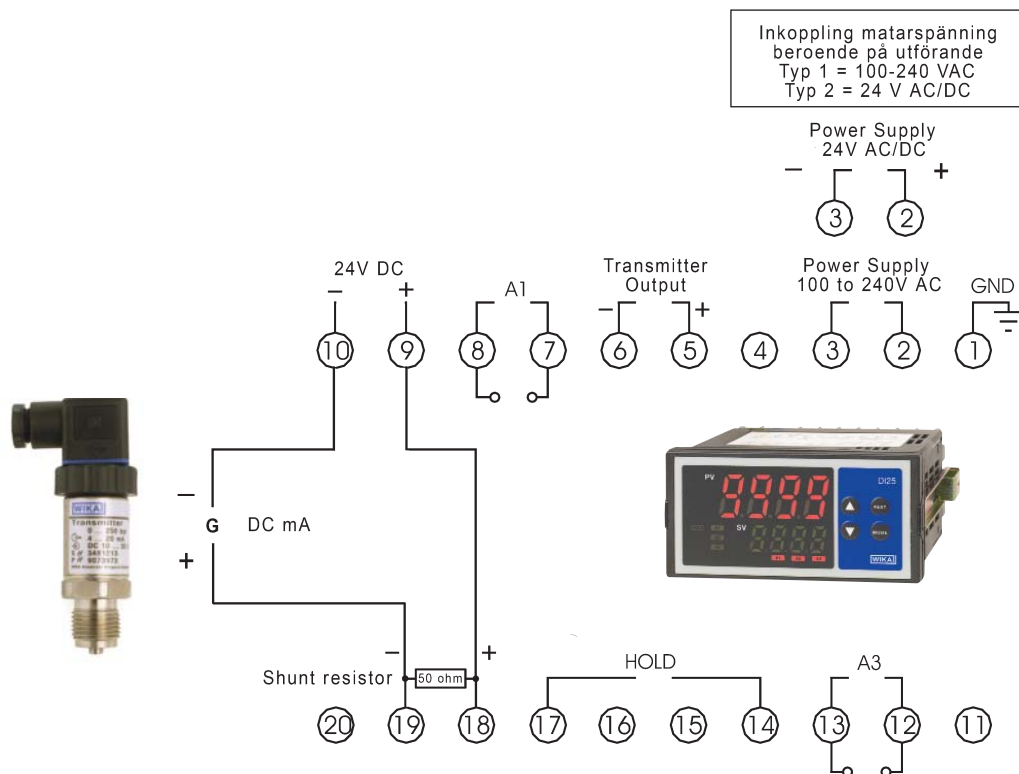


# Indikator DI-25

## Inkoppling av givare 4-20 mA till DI-25



- |                    |   |
|--------------------|---|
| A1                 | Alarm 1 output  |
| A3                 | Alarm 3 output  |
| Transmitter Output | Analogue signal output  |
| HOLD               | HOLD function   |
| DC mA              | DC current  |
| Shunt resistor     | Shunt resistor 50 Ohm, necessary for input signals DC current |