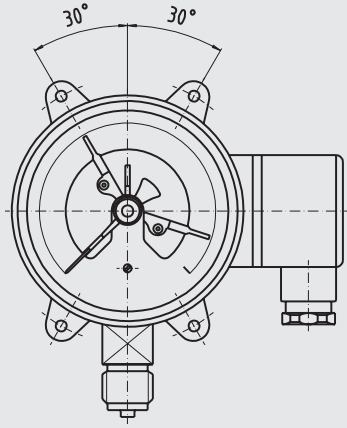


## Panel mounting flange

Round case gauges with electrical accessories

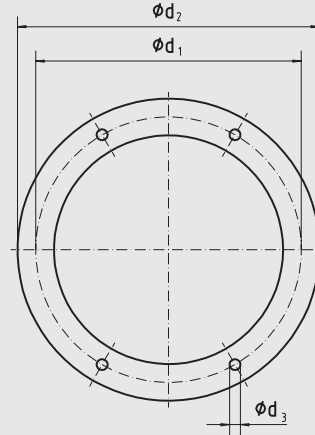
### Mounting lugs at case of gauges (holding gauge in panel)

1294687.01



### Outer panel ring (covering panel cut-out)

1294687.01



Nominal Size	Dimensions in mm			Panel cut-out-Ø
	$d_1$	$d_2$	$d_3$	
100	116	132	4.8	105
160	178	196	5.8 <sup>1)</sup>	165

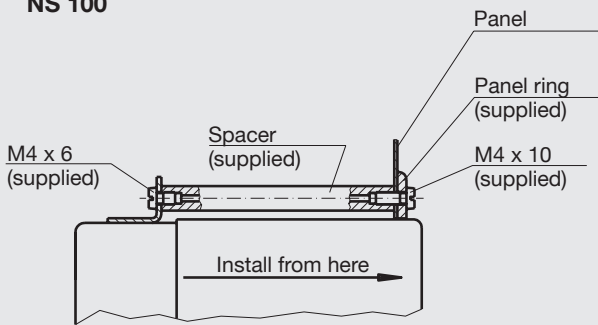
1) Mounting lugs with internal thread M5

## Panel assembly for gauges

with inbuilt electrical accessories

### NS 100

1294695.01

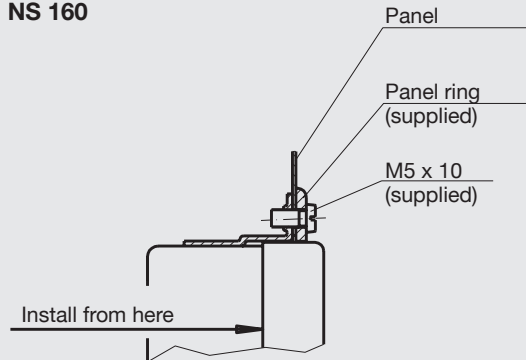


The assembly consists of:

- Outer panel ring
- 4 spacers
- 8 screws M4 x 10

### NS 160

1294709.01



The assembly consists of:

- Outer panel ring

Additionally required:

- 4 screws M5 x 10

Note: In addition to this data sheet, mounting drawings referring to the respective models can be supplied.

Specifications and dimensions given in this leaflet represent the state of engineering at the time of printing. Modifications may take place and materials specified may be replaced by others without prior notice.

