

Bourdon tube pressure gauge

Back mount, panel mounting series with spring clips

Model 111.26

WIKA data sheet PM 01.15

Applications

- For gaseous and liquid media that are not highly viscous or crystallising and will not attack copper alloy parts
- Especially for "snap-in" panel mounting
- Pneumatics
- Drink dispensers

Special features

- Reliable and cost-effective
- Design per EN 837-1
- Nominal size 40, 50, 63, 80
- Scale ranges up to 0 ... 400 bar



Bourdon tube pressure gauge model 111.26

Description

Design
EN 837-1

Nominal size in mm
40, 50, 63, 80

Accuracy class
2.5

Scale ranges
0 ... 2.5 to 0 ... 400 bar
or all other equivalent vacuum or combined pressure and vacuum ranges

Pressure limitation

Steady: 3/4 x full scale value
Fluctuating: 2/3 x full scale value
Short time: Full scale value

Permissible temperature

Ambient: -20 ... +60 °C
Medium: +60 °C maximum

Temperature effect

When the temperature of the measuring system deviates from the reference temperature (+20 °C):
max. $\pm 0.4 \text{ \%}/10 \text{ K}$ of the span

Standard version

Process connection

Cu-alloy,

centre back mount (CBM)

NS 40: G 1/8 B (male), 14 mm flats

NS 50, 63, 80: G 1/4 B (male), 14 mm flats

Pressure element

Cu-alloy

C-type or helical type

Movement

Cu-alloy

Dial

With pointer stop pin, black lettering

NS 40, 50, 63: Plastic, white

NS 80: Aluminium, white

Pointer

Plastic, black

Case

Plastic, black, with spring clips

Window

Plastic, crystal-clear, snap-fitted in case

Bezel ring

NS 40, 50, 63: Front bezel, plastic, black

NS 80: Without ring

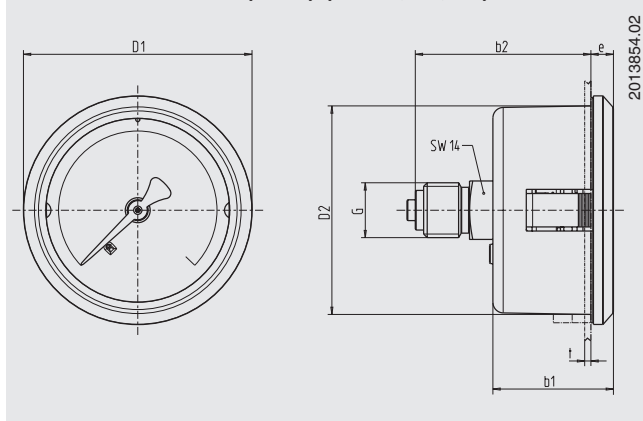
Options

- Other process connection
- Accuracy class 1.6
- Triangular bezel, chrome plated (NS 40, 50, 63)

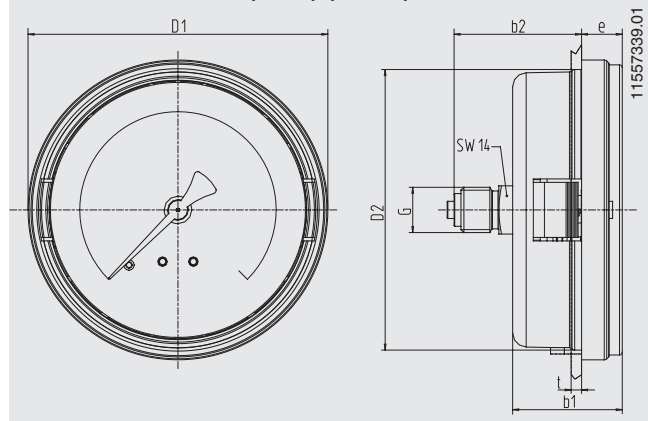
Dimensions in mm

Standard version

Centre back mount (CBM) (NS 40, 50, 63)



Centre back mount (CBM) (NS 80)



NS	Dimensions in mm							Weight in kg			
	b ₁ ±0.5	b ₂ ±1	D ₁	D ₂	G	SW	e	Panel cutout Ø	Thickness t _{min}	Thickness t _{max}	
40	29	39	44	40	G 1/8 B	14	5.5	40.5	1.0	2.5	0.06
50	29	42	55	50	G 1/4 B	14	5.5	50.5	1.0	2.5	0.07
63	29	42	68	63	G 1/4 B	14	5.5	63.5	1.0	2.5	0.08
80	32	37	87	81.5	G 1/4 B	14	12	82	1.5	3.5	0.12

Process connection per EN 837-1 / 7.3

Ordering information

Model / Nominal size / Scale range / Connection size / Options

© 2010 WIKA Alexander Wiegand SE & Co. KG, all rights reserved.

The specifications given in this document represent the state of engineering at the time of publishing.

We reserve the right to make modifications to the specifications and materials.

